



Makita Werkzeug Ges.m.b.H.

Kolpingstrasse 13, 1230 Wien

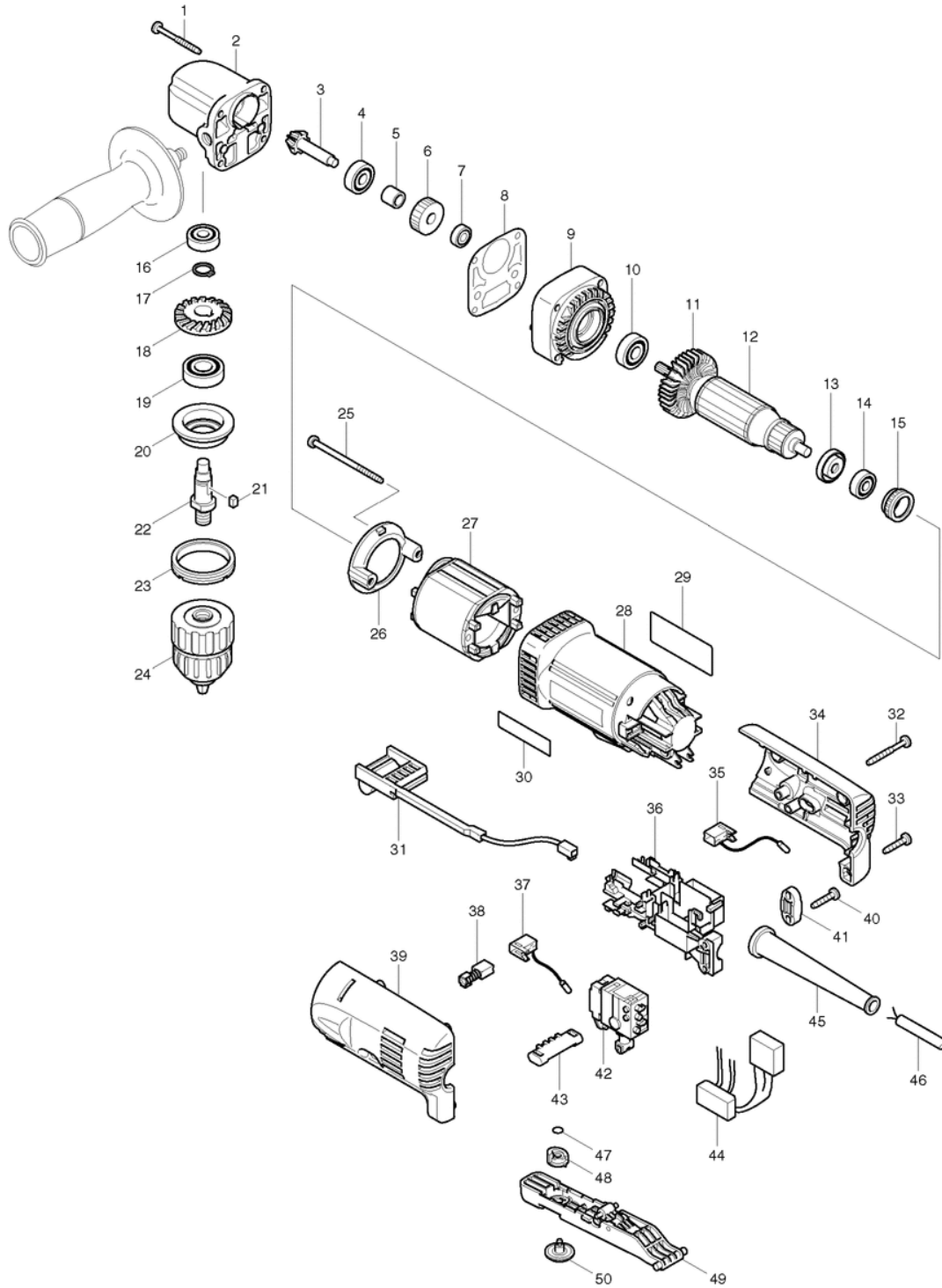
Tel: 01 / 616 27 30 - 0*

Fax: 01 / 616 27 30 - 40

Mail: verkauf@makita.at

Web: www.makita.at

Makita Service Information / Model: DA3011F





Makita Werkzeug Ges.m.b.H.

Kolpingstrasse 13, 1230 Wien

Tel: 01 / 616 27 30 - 0*

Fax: 01 / 616 27 30 - 40

Mail: verkauf@makita.at

Web: www.makita.at

Makita Service Information / Model: DA3011F

POS	Bestell-Nr.	Artikelbeschreibung	Stk.	Stk.Preis
1	266048-4	šroub 4x40	4	N/A
2	317634-5	převodová skříň DA3011F	1	N/A
3	227435-2	SPIRAL BEVEL GEAR 9	1	N/A
4	211031-6	BALL BEARING 608LLB	1	N/A
4.2	210029-0	BALL BEARING 608ZZ	1	N/A
5	257726-7	SLEEVE 8	1	N/A
6	226567-2	HELICAL GEAR 28	1	N/A
7	210026-6	kuličkové ložisko 696ZZ =old 210006-2	1	N/A
8	418036-9	těsnění	1	N/A
9	418042-4	GEAR HOUSING COVER	1	N/A
10	211051-0	kuličkové ložisko 609LLB	1	N/A
11	240061-0	FAN 48	1	N/A
12	517583-8	rotor DA3010F	1	N/A
12		*** INC. 10,11,13,14		N/A
13	681636-0	izolační podložka = old 681667-9	1	N/A
14	211021-9	BALL BEARING 607LLB	1	N/A
15	421494-0	vymezovací kroužek	1	N/A
16	211031-6	BALL BEARING 608LLB	1	N/A
16.2	210029-0	BALL BEARING 608ZZ	1	N/A
17	961052-5	segrovka vnější S-12	1	N/A
18	227434-4	SPIRAL BEVEL GEAR 26	1	N/A
19	211131-2	kuličkové ložisko 6001DDW =old 922041	1	N/A
20	317633-7	BEARING BOX	1	N/A
21	254201-4	klín 4 8419B/DA3010F/11F/BDA	1	N/A
22	324329-3	SPINDLE	1	N/A
23	285842-5	aret. matice sklíčidla DA3010F	1	N/A
24	763132-1	KEYLESS DRILL CHUCK 10	1	N/A
25	266315-7	TAPPING SCREW MT 4X65	2	N/A
26	418033-5	BAFFLE PLATE	1	N/A
27	635078-0	stator DA3010F	1	N/A
28	183560-8	obal DA3010F	1	N/A
28		*** INC. 30		N/A
29	850090-1	NAME PLATE DA3011F	1	N/A
30	819063-3	etiketa Makita	1	N/A
31	631516-0	kontrolka DA3010F	1	N/A
32	266053-1	šroub 4x35=new266351-3	1	N/A
33	265995-6	šroub 4x18 = old 265941-9	3	N/A
34	183559-3	REAR COVER SET	1	N/A
34		*** INC. 39		N/A
35	643801-9	držák uhlíků DA3010F/DA3011F	1	N/A



Makita Werkzeug Ges.m.b.H.

Kolpingstrasse 13, 1230 Wien

Tel: 01 / 616 27 30 - 0*

Fax: 01 / 616 27 30 - 40

Mail: verkauf@makita.at

Web: www.makita.at

Makita Service Information / Model: DA3011F

POS	Bestell-Nr.	Artikelbeschreibung	Stk.	Stk.Preis
36	687139-2	kostka DA3010F	1	N/A
37	643801-9	držák uhlíků DA3010F/DA3011F	1	N/A
38	191962-4	uhlíky CB-419 = CB-406,407	1	N/A
39	183559-3	REAR COVER SET	1	N/A
39		*** INC. 34		N/A
40	265995-6	šroub 4x18 = old 265941-9	2	N/A
41	687063-9	CORD CLAMP	1	N/A
42	650539-9	vypínač DA3010F	1	N/A
43	418038-5	páčka L/R DA3010F/11F	1	N/A
44	631527-5	elektronika DA3010F/11F	1	N/A
45	682559-5	gumová průchodka 6822	1	N/A
46	666066-6	POWER SUPPLY CORD 1.0-2-2.5	1	N/A
47	213034-6	O RING 3	1	N/A
48	418040-8	CAM	1	N/A
49	153477-9	páčka vypínače DA3010F/DA3011F	1	N/A
50	418037-7	SPEED CHANGE DIAL	1	N/A
1001	152490-4	GRIP 36 COMPLETE	1	N/A